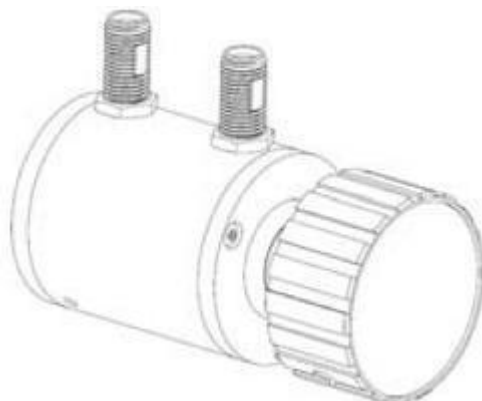




## ATK-2W-6GN90 Step Attenuator (2W,90dB)



Electrical Specifications	
Frequency Range	DC-6.0GHz
VSWR	≤1.5
Impedance	50 Ω
Attenuation Precision	±0.5 dB (<5
	±5% (≥5
Insertion Loss	1 dB
Attenuation Range	0-90dB
Temperature	-55°C to +125 °C
Attenuation	0 10 20 30 40 50 60 70 80 90 dB

DIMENSION(Unit: mm)

